



# Cx150i High-Resolution Inkjet Printer

Capable, Compact and Cost-Effective, Direct-to-Box Printing



Domino. Do more.

The **Cx150i** is a compact, direct-to-box printer that delivers the high-quality codes associated with higher cost solutions. It combines premium performance with the connectivity and usability you would expect from the Domino **Cx-Series**. In short, it's capable, compact and cost-effective.



### Unlock the power of direct box coding

- ◆ Brand logos and graphics up to 600dpi
- ◆ 1D and 2D barcodes, including QR codes powered by GS1
- ◆ Product batch information and serialised data for product traceability
- ◆ True Type and Open fonts for complete control of code aesthetics
- ◆ Surface printing for both side / vertical and top / horizontal applications
- ◆ Large format, high-resolution printing on boxes and more

### Cost-effective, high-quality, high-resolution printing

- ◆ Unparalleled print quality from Domino's established **Cx-Series**
- ◆ Print resolution up to 300 x 600dpi
- ◆ A range of settings provide high code quality with minimal ink usage

### Code accuracy and consistency

- ◆ Smart integration with coding automation software for accurate code content
- ◆ Barcode scanner and vision control integration to confirm code readability



### Green Credentials

Domino is committed to minimising the consumption of natural resources. Our innovative ink pouch minimises the creation of waste material.

Direct box coding with **Cx150i** can significantly reduce your environmental footprint. No label waste, only vegetable oil-based ink delivered in small drops to make great codes.

# Big on Connectivity

The **Cx150i** is Industry 4.0-ready, for seamless factory integration

- ◆ A broad range of connectivity options facilitate integration with factory equipment
- ◆ Simple text transfer solution for integration with a variety of host packaging and processing machinery
- ◆ The **Cx150i** integrates with factory MES and ERP systems, via **Domino Automation** coding automation solutions
- ◆ Domino's cloud-based services give you 24/7 visibility of the printer's performance and utilisation, allowing you to drive overall equipment effectiveness (OEE) and maximise your profitability



## Simple to use

The **Cx150i** makes coding easy

- ◆ Simple operation: with Domino's intuitive **QuickStep** touchscreen user interface, settings can be adjusted easily and whole new layouts created quickly from scratch
- ◆ Minimal intervention: the 500ml ink supply enables increased uptime
- ◆ No line stops: ink can be replenished during production
- ◆ Minimal need for regular maintenance, with no factory air or filter changes

## A complete solution

Our services are designed to provide operational resilience, helping you to reduce downtime and maximise production efficiency.



### Operational support

An outstanding level of care, wherever you are. Our **SafeGuard** packages provide high-quality, on-site assistance and AR-enabled remote guidance from our technical experts. **SafeGuard** helps to ensure we can be with you when you need us most.

### Automatic code inspection

Ensure every code that leaves your factory is present and correct. With the **R-Series** - Domino's range of vision control systems - you can automate your code inspection to validate code presence, placement, and readability, and free up operator time for other activities.

### Automation

Centralise your label management: **Domino Automation** easily integrates into your manufacturing process as well as your ERP/ MES systems. It makes automatic changeovers safe and simple, helping you to reduce waste and drive sustainability initiatives while increasing productivity and efficiency.

### Smart production

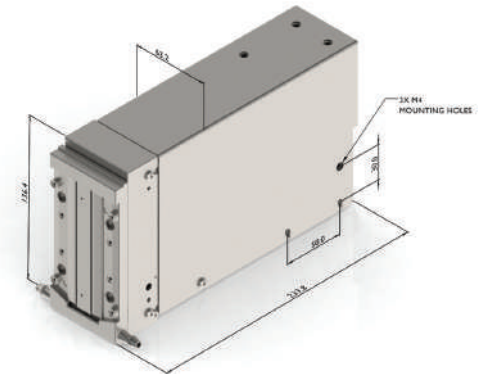
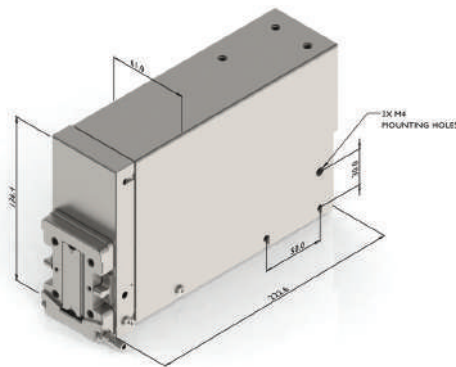
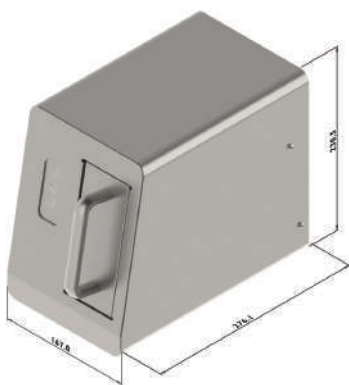
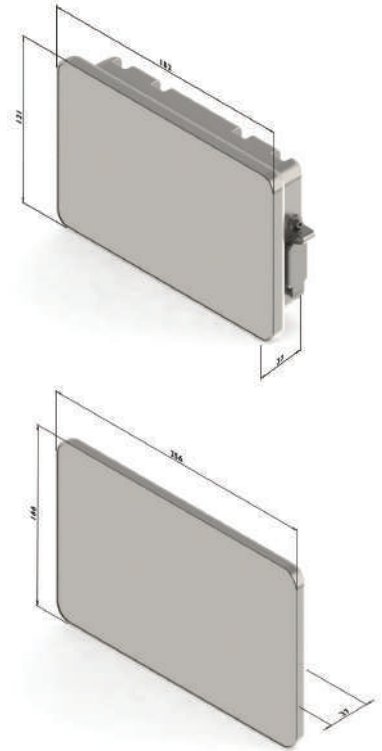
Gain operational insight by connecting your printer to Domino's cloud-based services. Access our production analytics dashboard and receive system error alerts by phone or email. Domino's cloud-based services provides you with the information you need to run your operations more efficiently.

## Technical specification

### Cx150i

<b>Inkbase</b>	<b>Cx1-Inkbase B</b> Cx150i inkbase for oil-based ink	
Dimensions	Width 167.0mm / Depth 276.1mm / Height 230.5mm / Weight 7.3kg not including screw, power button, latch, connector cover, bracket	
Internal ink reservoir	50ml	
Electrical supply	Input 100-240Vac, 50-60Hz, 2A	
Power connector	6mm dc power jack from brick-style PSU (supplied)	
External connection options	1 x 24Vdc power input jack, 1 x encoder input, 3 x I/O connectors 2 x USBs (type A), 2 x RJ-45, 2 x IX	
<b>Printhead</b>	<b>Cx1-PH 32 B</b> Cx150i 32.5mm printhead for oil-based ink	<b>Cx1-PH 65 B</b> Cx150i 65.0mm printhead for oil-based ink
Conduit length options	1.5m and 3.0m	1.5m and 3.0m
Dimensions	Width 61.0mm / Depth 222.6mm / Height 136.4mm / Weight 1.92kg	Width 61.0mm / Depth 233.8mm / Height 136.4mm / Weight 2.05kg
Maximum height of print	32.5mm	65.0mm
Vertical resolution	300dpi	150dpi
Horizontal resolution	up to 600dpi	up to 600dpi
Distance to bottom nozzle	23.3mm	32.7mm
<b>TouchPanel</b>		
User interface	7" or 10" touchscreen interface with <b>QuickStep</b> software	
Dimensions	7" Width 182mm / Depth 37mm / Height 121mm / Weight 0.8kg 10" Width 256mm / Depth 37mm / Height 166mm / Weight 1.2kg	
<b>System specification</b>		
Operating temperature	5-40°C	
Operating relative humidity	10-90% RH (non-condensing, 10°C increase per hour)	
Finish	Brushed stainless steel	
Protection	IP4X	
Communication	Ethernet / Dynamark protocol, EDC (serial, TCP, USB), Domino Cloud Interface (DCI), Domino coding automation	
Print speed	max. 200m/min. @100dpi, 100m/min. @200dpi, 70m/min. @300dpi, 47m/min. @450dpi, 35m/min. @600dpi	
Ink*	High-contrast, vegetable oil-based ink supplied in 500ml, low-waste flexible pouch	

\* This product has a quality management system that means that it will only work with Domino circuitry, and it uses dynamic security measures to block non-Domino circuitry from being used. From time to time updates to the circuitry will be issued by Domino to maintain the effectiveness of the quality management system.



## TALK TO AN EXPERT

Telephone: +44 1954 782 056

Website: [www.domino-printing.com](http://www.domino-printing.com)